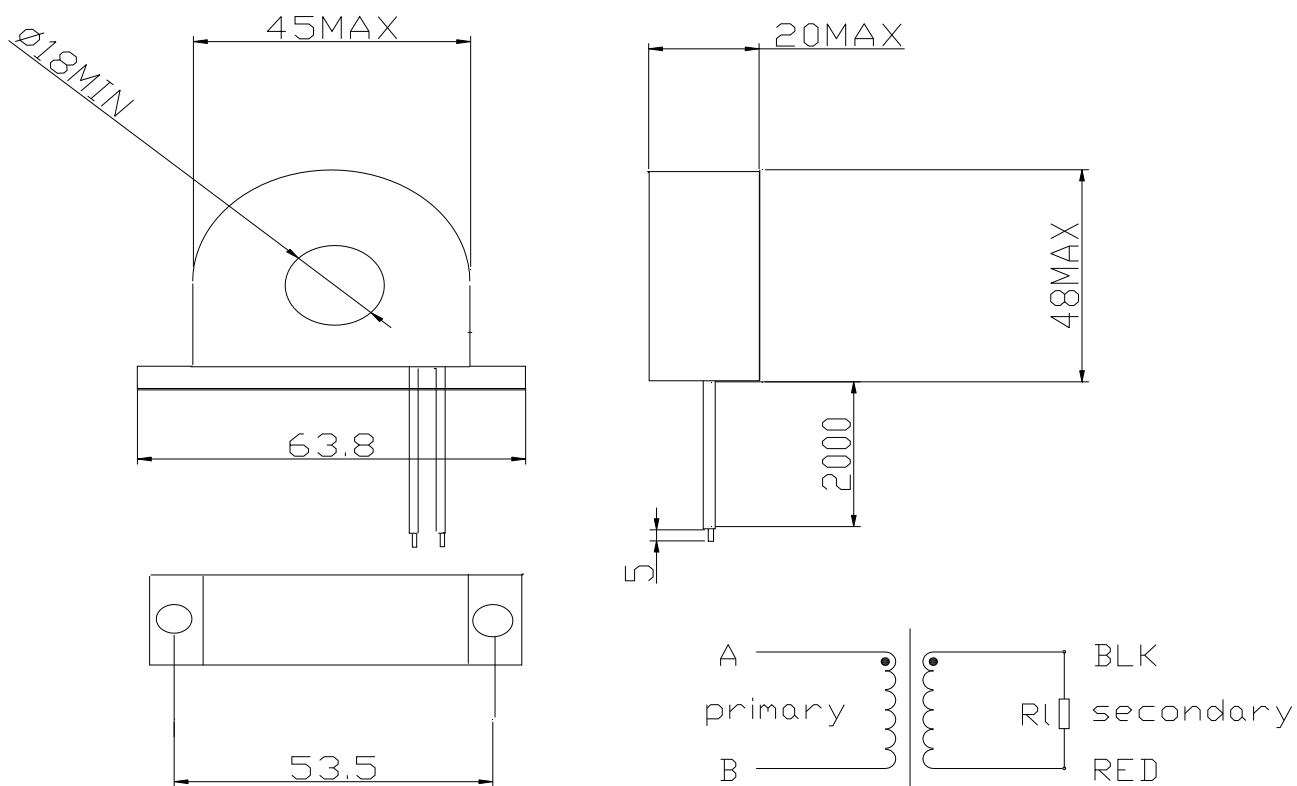


CUSTOMER	KMC	DESCRIPTION	CURRENT TRANSFORMER
----------	-----	-------------	---------------------

OUTLINE DIMENSION(UNIT:mm):



ELECTRICAL CHARACTERSTIC:

NO.	ITEM	MEASURED POINT	TECHNICAL DATA	REMARK
1	Primary rated Current Range	A-B	250A	
2	Normal Secondary current	BLK--RED	0.1A	
3	Primary/secondary ratio		1:2500	
4	DC Resistance	BLK--RED	120ΩMAX	AT25°C
5	Loaded Resistance		10Ω	
6	Accuracy		CLASS0.5	
7	Dielectric Strength		3000VAC 1mA	
8	Nominal working frequency		50Hz-400Hz	

--	--	--	--	--

	DRAWN BY	CHECKED BY	APPROVED BY	CUSTOMER P/N	250A/0.1A close type with smaller size
	ZHONG	XIY	JACKEY	MODEL	
				DATE	2014-7-2
				PAGE	1 / 1